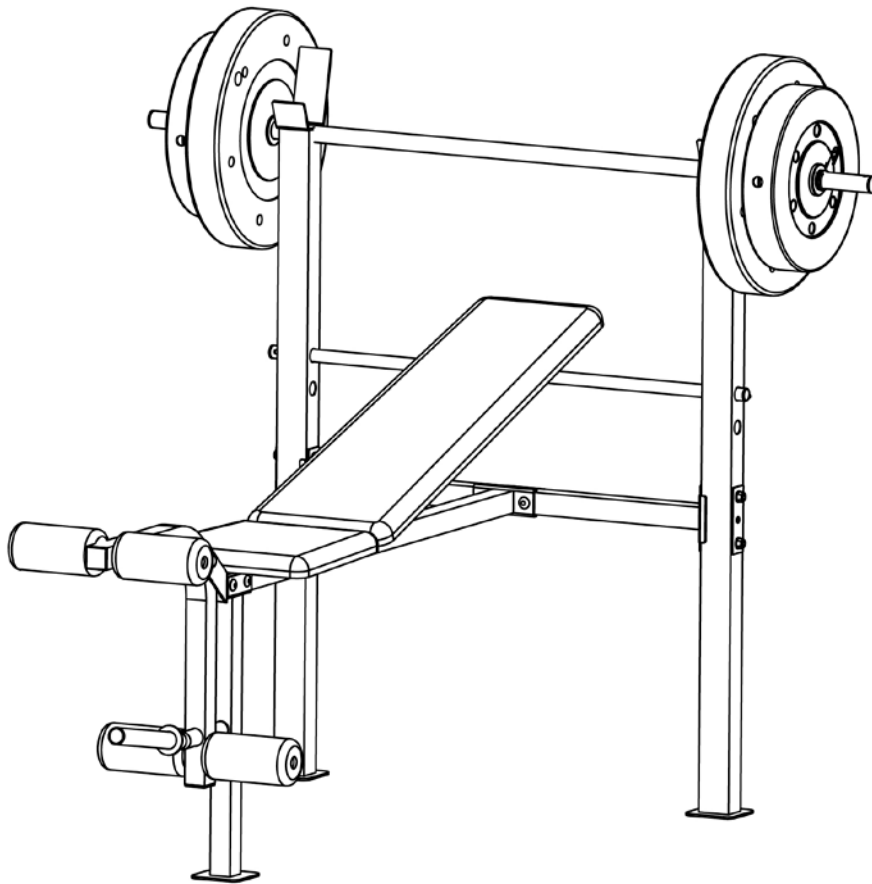


COMPETITOR

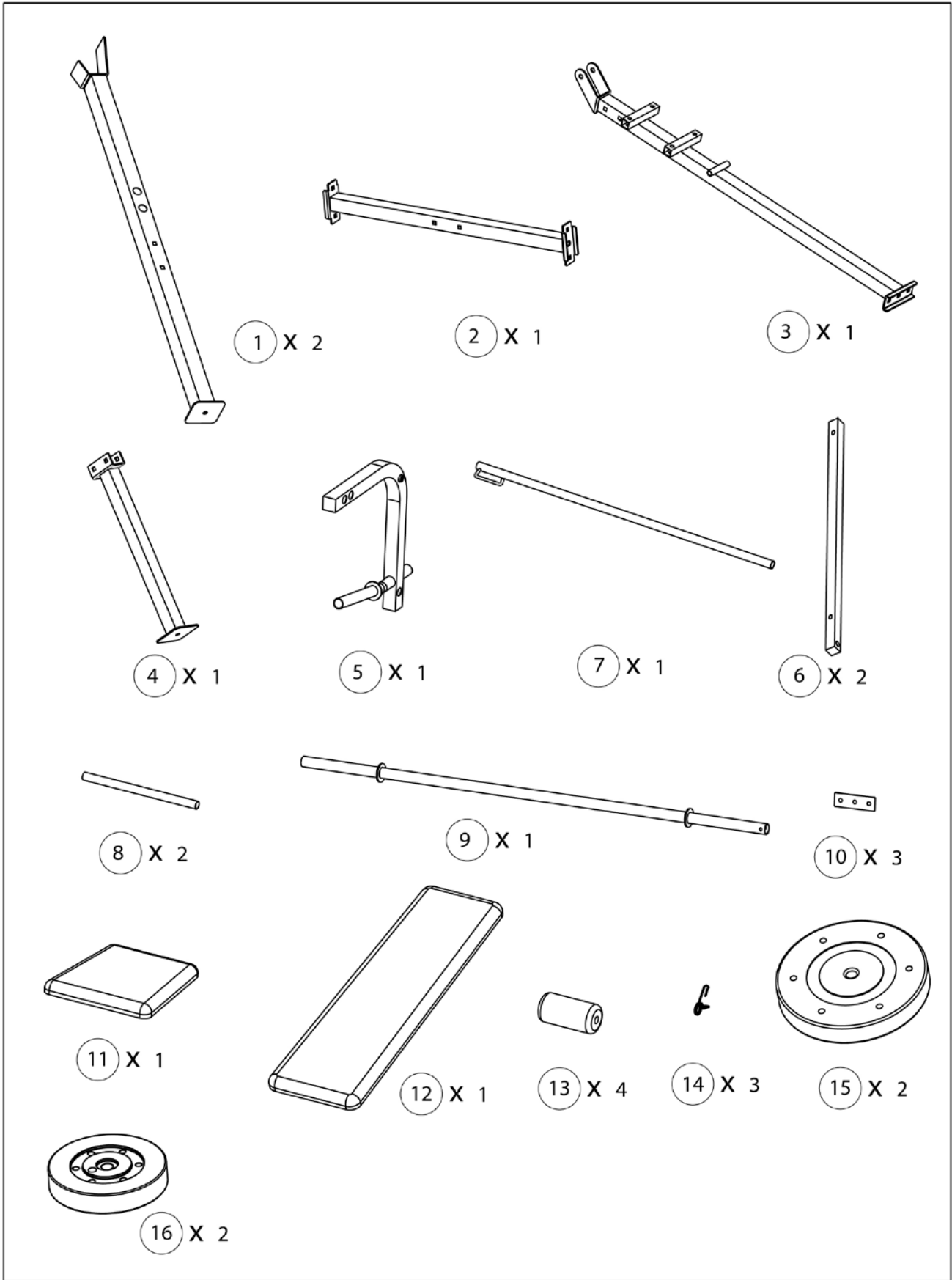
COMPETITOR WEIGHT BENCH CB-20111

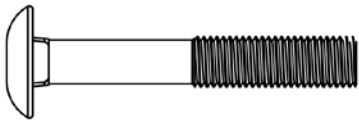


IMPORTANT: Please read the Important Safety Notice and Assembly Information in the Owner's manual before assembling this product.

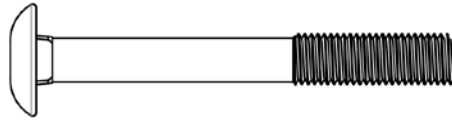
Assembly Manual

180419

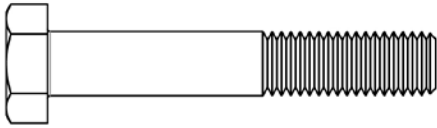




24 X 4



25 X 4



26 X 1



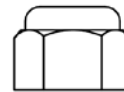
27 X 1



28 X 4



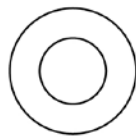
29 X 4



30 X 2



31 X 8



32 X 4

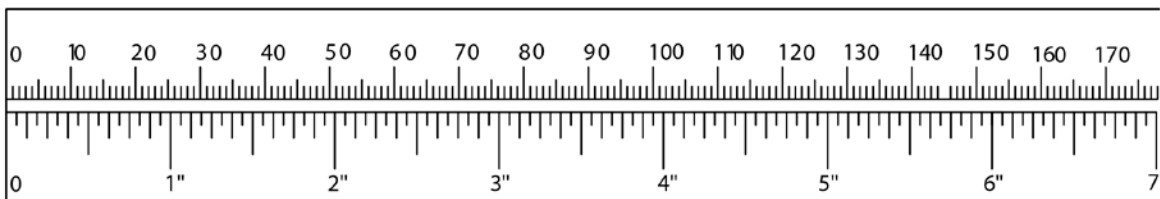


33 X 8

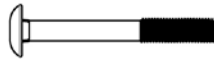


34 X 8

mm



25 X 4



M8 x 2 1/2"

31 X 4

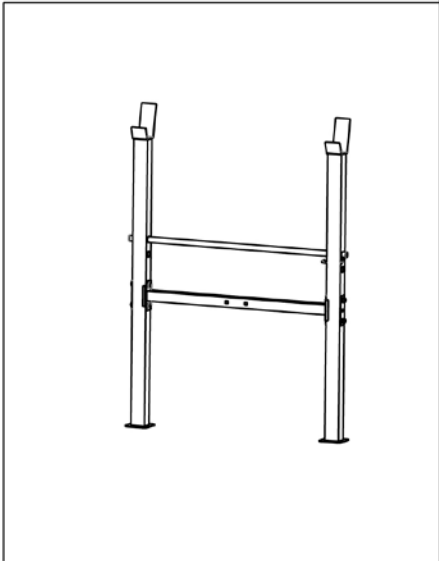
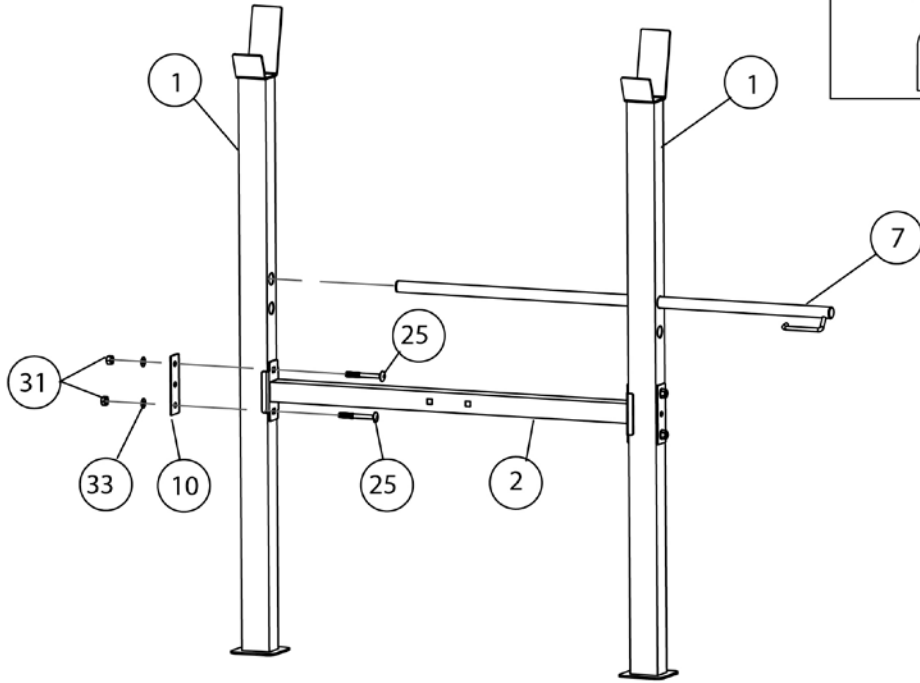
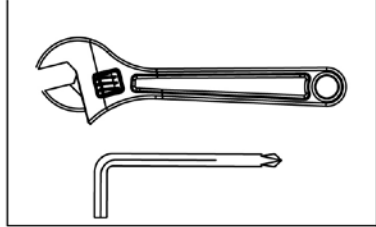


M8

33 X 4



5/8"



24 X 4



M8 x 2 "

31 X 4

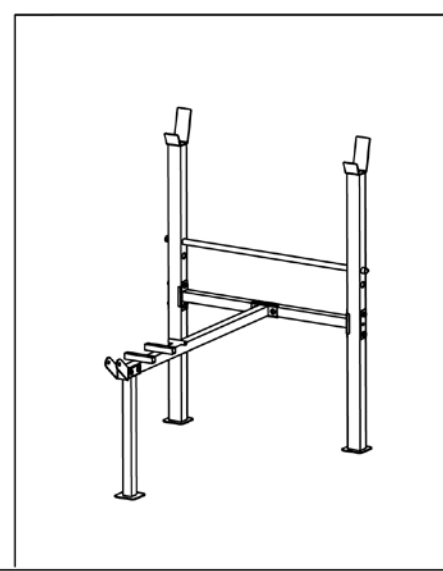
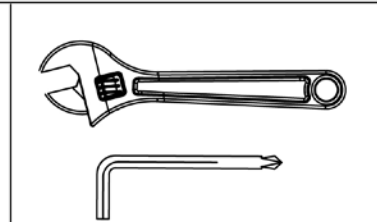
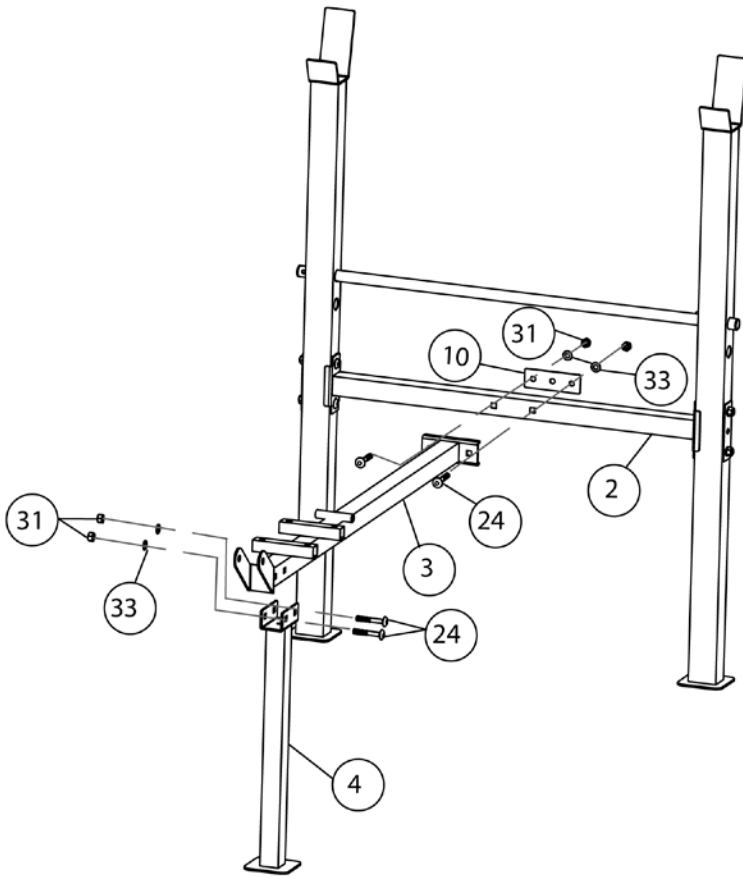


M8

33 X 4



$\phi \frac{5}{8}$ "



26 X 1



M10 x 2 $\frac{2}{5}$ "

30 X 1

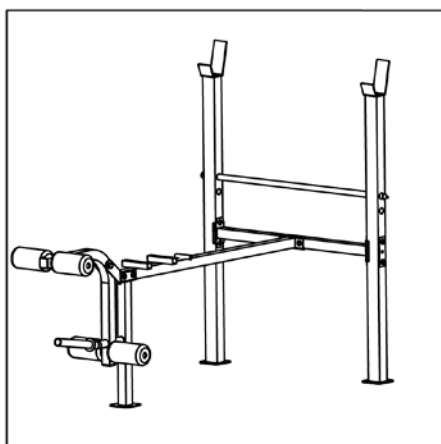
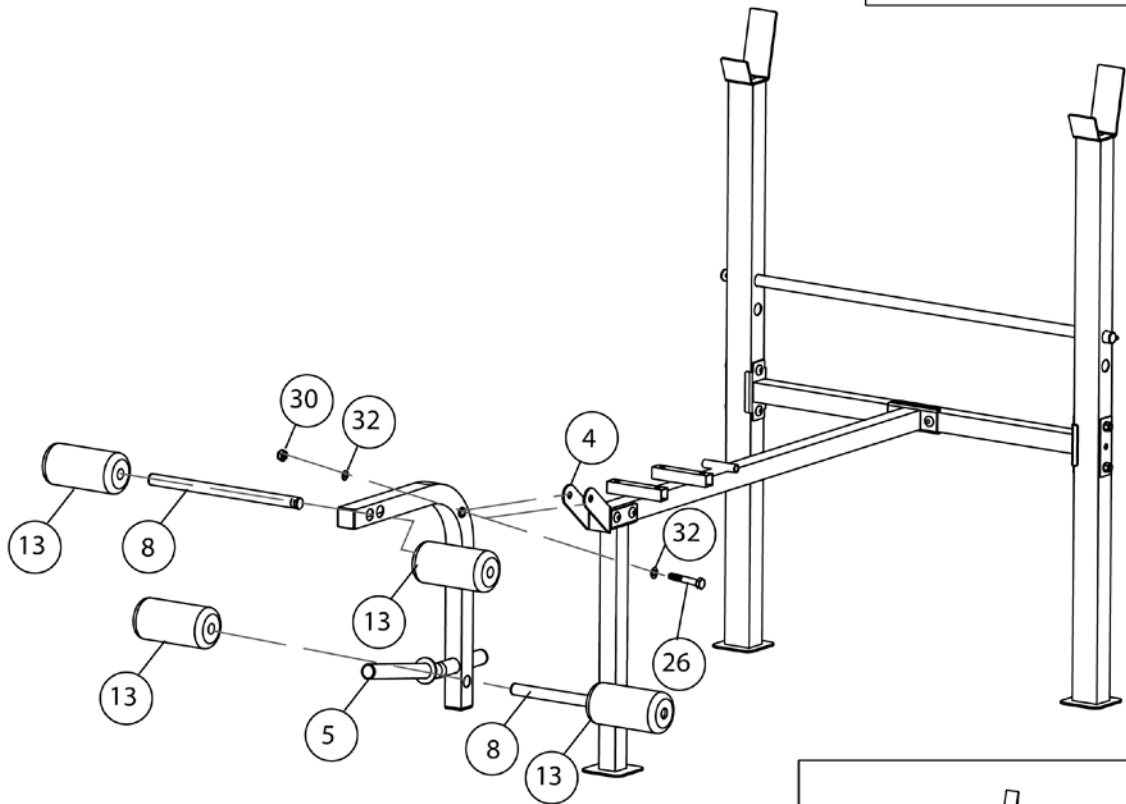
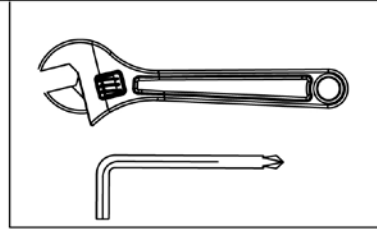


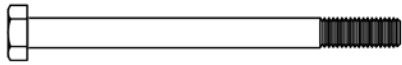





M10

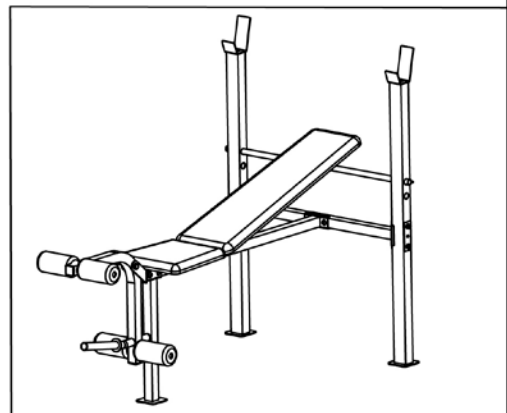
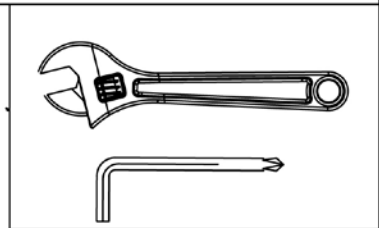
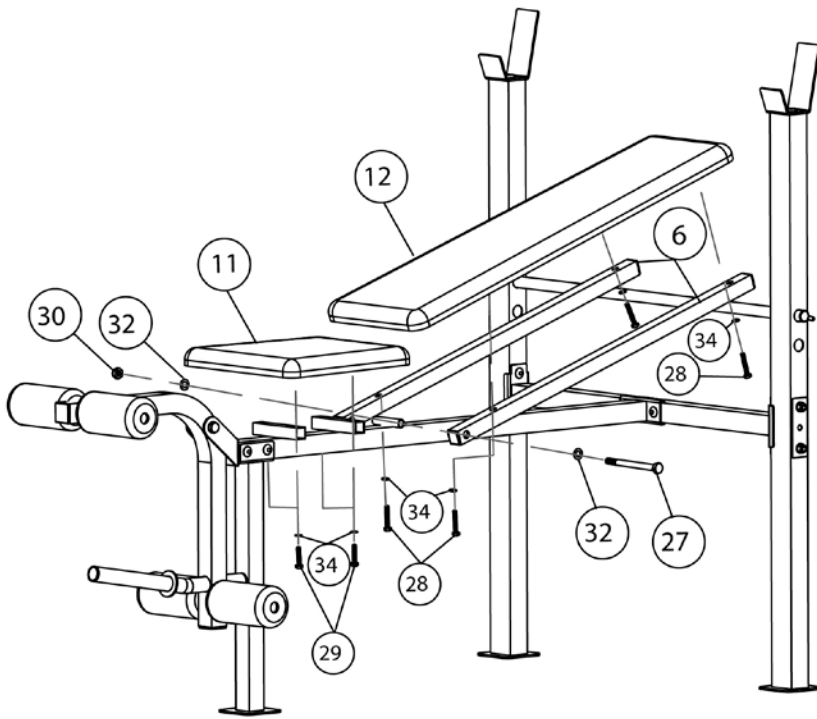
32 X 2

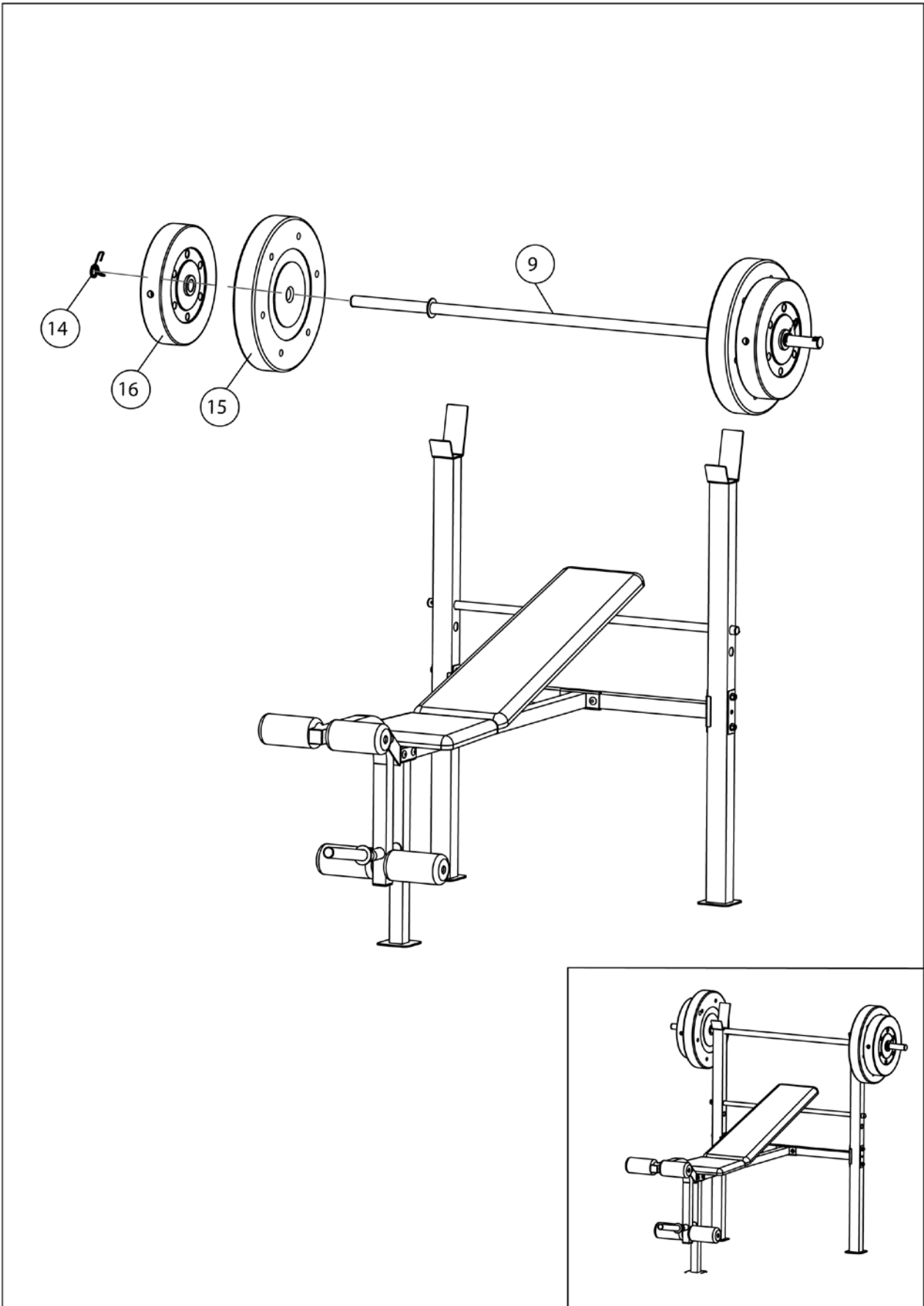


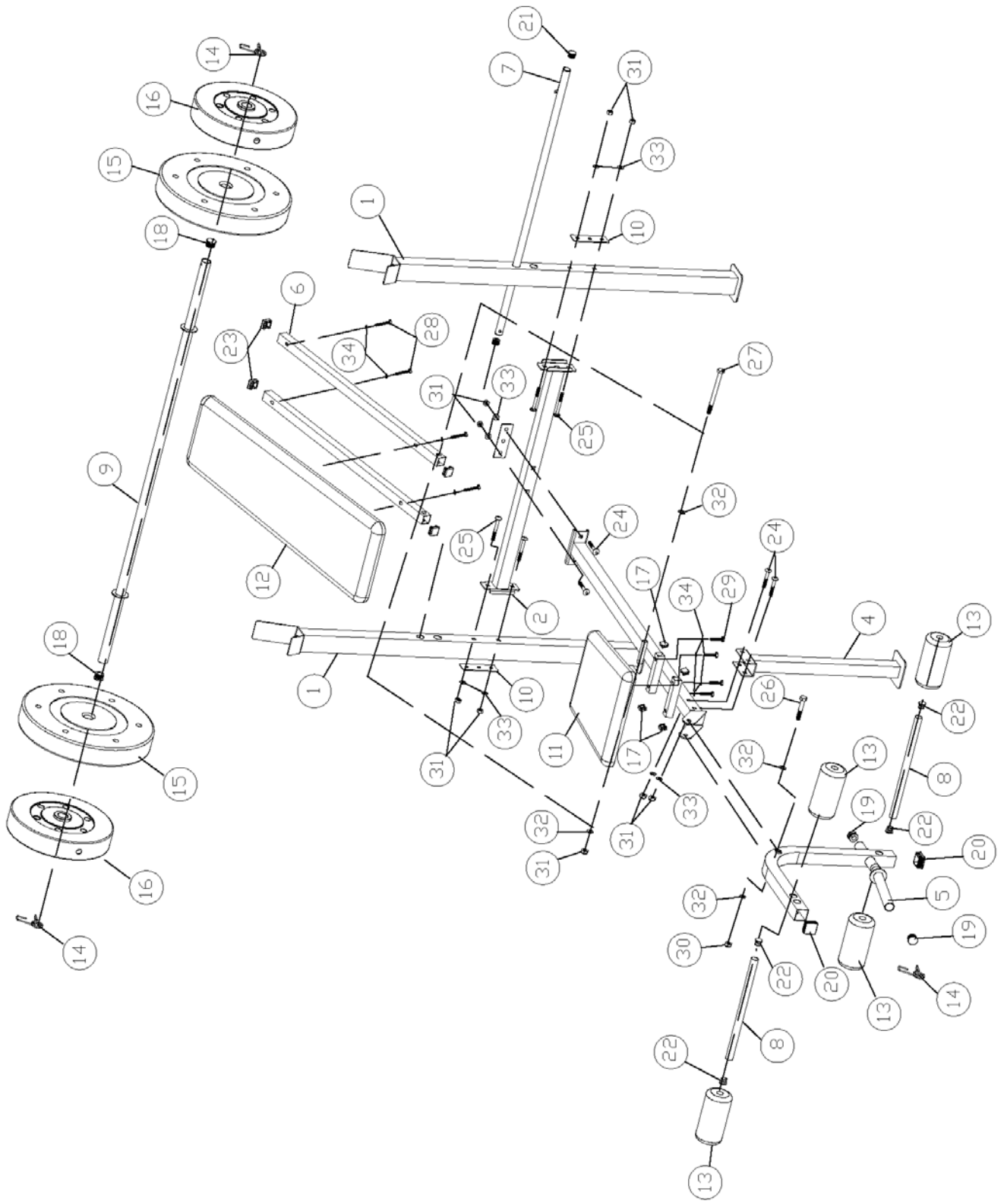
$\phi \frac{3}{4}$ "



- 27 X 1  M10 x 5 "
- 30 X 1  M10
- 32 X 2  $\varnothing \frac{3}{4}$ "
- 28 X 4  M6 x 1 $\frac{1}{2}$ "
- 29 X 4  M6 x 1 $\frac{3}{8}$ "
- 34 X 8  $\varnothing \frac{1}{2}$ "







IMPEX® INC.

2801 South Towne Avenue, Pomona, California 91766

Tel: (800) 999-8899 Fax: (626) 961-9966

www.marcypro.com

support@impex-fitness.com